



OIL MAINTENANCE

HDU 27/27-108

CJC™ Off-line Fine Filter

CJC™ Product Sheet

APPLICATION

The HDU 27/- series of CJC™ Off-line Fine Filters are used for the maintenance of fluids for power transmission, lubrication, cooling and quench oil.

FUNCTION

The filter pump draws fluid from the system tank (at lowest point) and presses it through the filter insert. From the centre of the insert the fluid flows through the filter base and returns to the tank.

The pressure drop over the filter - and consequently the contaminant absorption of the filter insert - is monitored on the pressure gauge between pump and filter housing.

The filter outlet port is placed in the filter base. The filtered fluid should be returned to the tank close to the suction pipe of the main system pump.

Note that the return point preferably should be non-pressurized. Contact us in case this is not possible.

THE FILTER PUMP

The filter pump is a CJC gear pump. The electric motor can be supplied for AC and DC voltages.

FILTER INSERT

The CJC™ Filter Inserts consist of several discs bonded together. The material is either cellulose or cotton linters depending on the fluid to be filtered.

OPTIONS

- Preheater
- Control box
- Drip pan
- Mobile
- Tank

FILTRATION ABILITY

All CJC™ Filter Inserts have a **filtration degree of 3 µm** (micron) absolute, i.e. 98.7% of all solid particles > 3 µm and approximately 50% of all particles > 0.8 µm will be retained in one pass.

The **water absorption capacity** of the cellulose based inserts is up to **50% of the total contaminant holding capacity**.

The depth of the CJC™ off-line Filter Inserts creates a highly efficient **oxidation adsorption**.



The CJC™ Fine Filter
HDU 27/27 P

TECHNICAL DATA

Model HDU		27/27	27/54	27/81	27/108
Pump flow, std. / per hour	ltr/gal	45 - 4000 / 12 - 1057			
Pump type		PV/P/MZ/GP	PV/P/MZ/GP	PV/P/MZ/GP	PV/P/MZ/GP
Filter Insert 27/27	qty	1	2	3	4
Power consumption, aver.	kW	0.15	0.15	0.15	0.25
Max. pressure drop	bar/psi	2.0/29	2.0/29	2.0/29	2.0/29
Max. fluid temp. *)	°C / °F	80/176	80/176	80/176	80/176
Dirt holding capacity, appr.	ltr/gal	4/1.1	8/2.1	12/3.2	16/4.2
Water absorption capacity	ltr/gal	2/0.5	4/1.1	6/1.6	8/2.1
Dry weight	kg/lb	60/132	80/176	97/214	117/258
Operating weight, wet	kg/lb	68/150	97/214	122/269	150/331
Design pressure	bar/psi	4/58	4/58	4/58	4/58
Max. ambient temp.	°C / °F	45/113	45/113	45/113	45/113

*) The standard filters are designed for a max. temp. of 80°C / 176°F.
Other conditions, please contact us.

APPLICABLE FILTER INSERTS

Type	Application for
A:	Low flow - (small system fluid volumes).
B:	High flow - (large system fluid volumes).
F:	Quenching oils and diesel oils.
BLA:	Water-based fluids and emulsions.



OIL MAINTENANCE

HDU 27/27-108

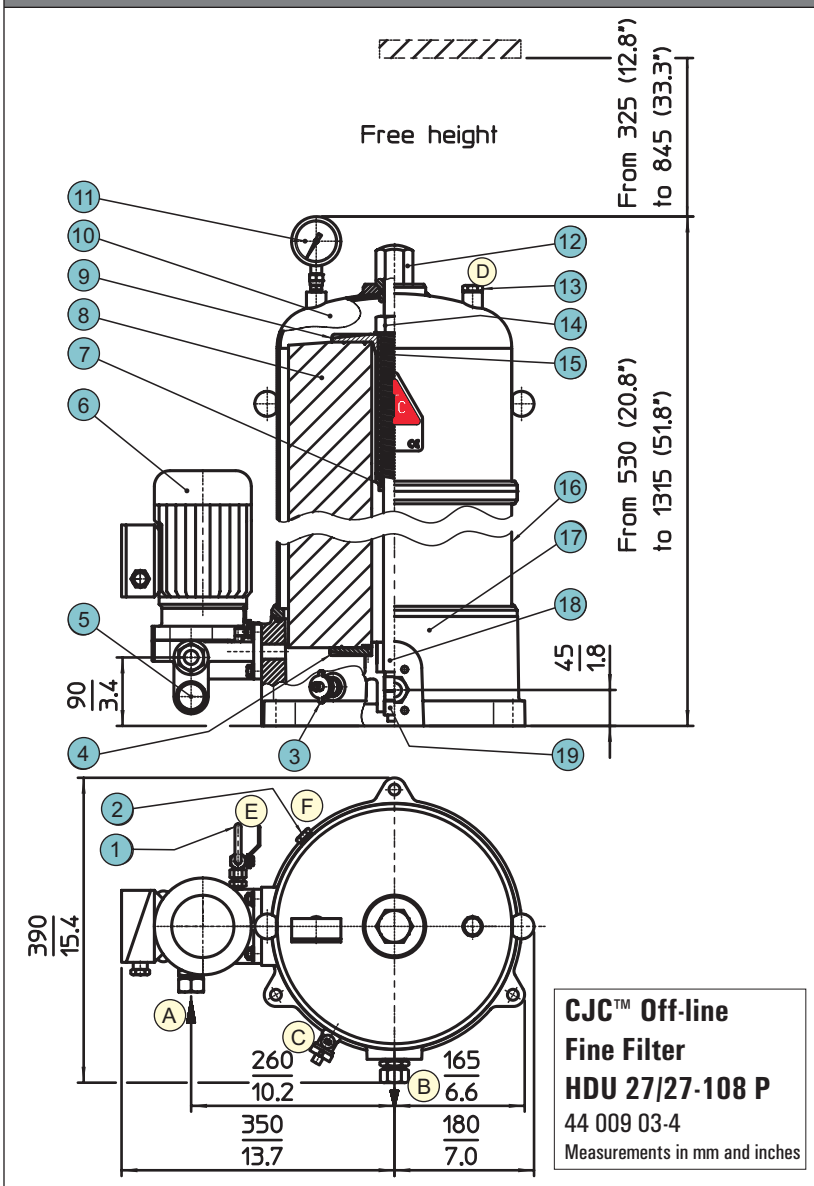
CJC™ Off-line Fine Filter

CJC™ Product Sheet

COMPONENTS

Item	Part
1	Sampling point
2	Plug
3	Drain valve
4	Filter plate
5	Relief valve
6	Pump
7	O-ring
8	Filter Insert
9	Spring guide
10	Filter housing
11	Pressure gauge
12	Top nut
13	Vent screw
14	Nut for spring
15	Spring
16	Cover
17	Filter base
18	Stay bolt
19	Plug
A	ø18, Oil inlet
B	ø18, Oil outlet
C	1/2" BSP Drain valve
D	1/4", BSP Vent
E	Sampling point
F	1/4" BSP, Connection for optional pressure switch

DIMENSIONS



INSTALLATION PRINCIPLE

